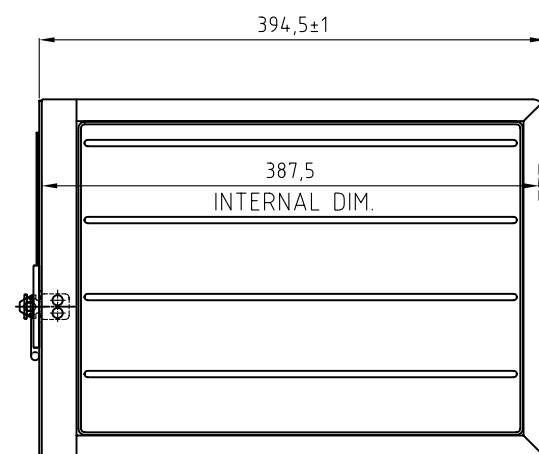
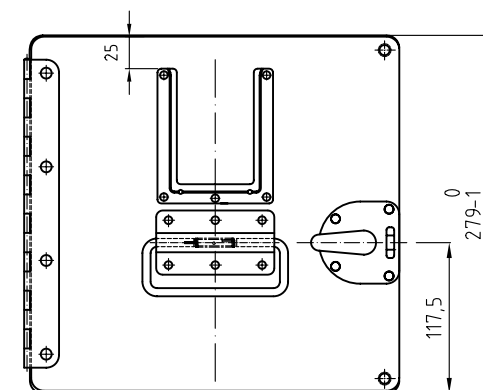


REAR

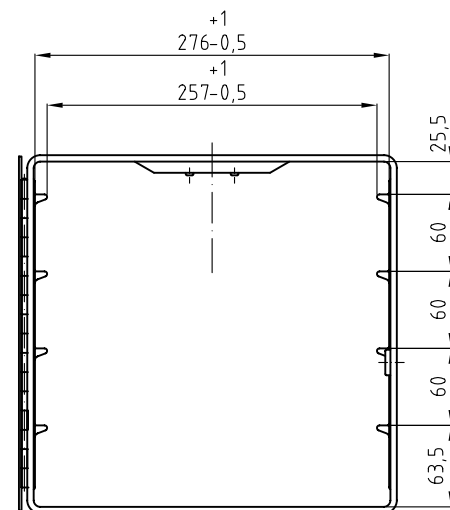


SIDE

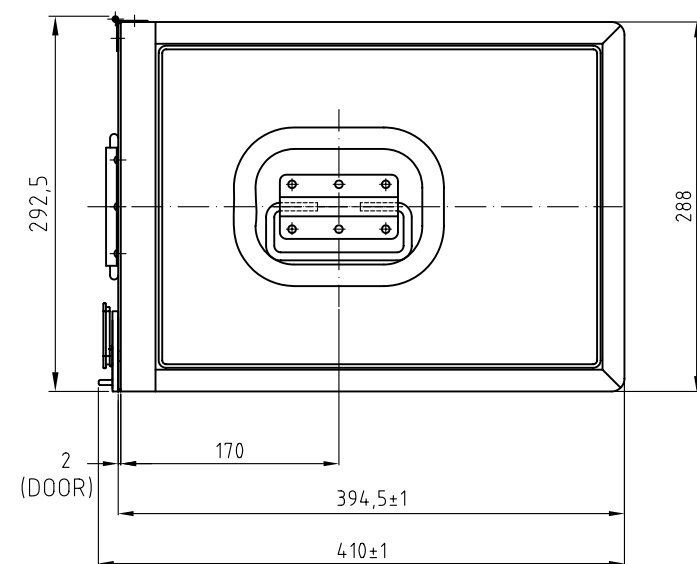


FRONT

- DESIGN FERTURES:
- STRUCTURE: HIGH GRADE ALUM ALLOY;
 - LIGHT WEIGHT DESIGN;
 - FINISHING: NATURAL ANODISED;
 - ESTIMATED EMPTY WEIGHT 2.7 kg.



INTERNAL



PLAN

DIMENSION IN mm				DWN	230412	TITLE	
TOLERANCE UNLESS OTHERWISE STATED							CHKD
NOMINAL	FINE	COARSE		WEIGHT	SCALE	EDITION	PART NO
≥0.0	<10.0	±0.1	±0.2	2.7 kg	1 : 7	-	CH0001-A01
≥10.0	<40.0	±0.2	±0.3				
≥40.0	<80.0	±0.3	±0.4				
≥80.0	<150.0	±0.5	±0.5				
≥150.0	<300.0	±0.4	±0.6				
≥300.0	<600.0	±0.5	±0.8				
≥600.0		±0.6	±1.0				
SHEET 1 OF 1							